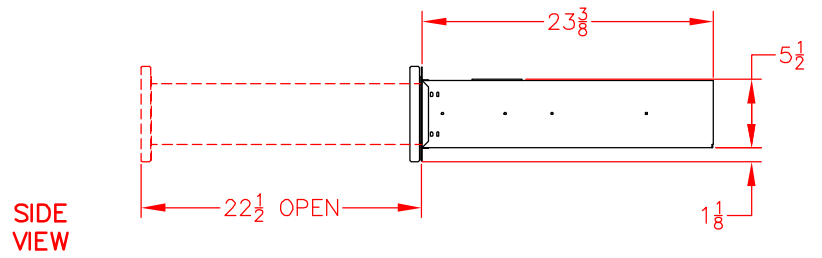
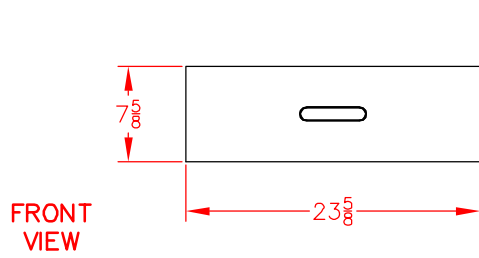
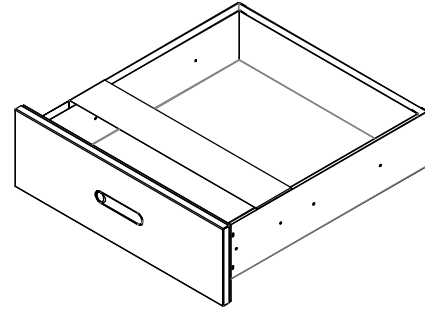
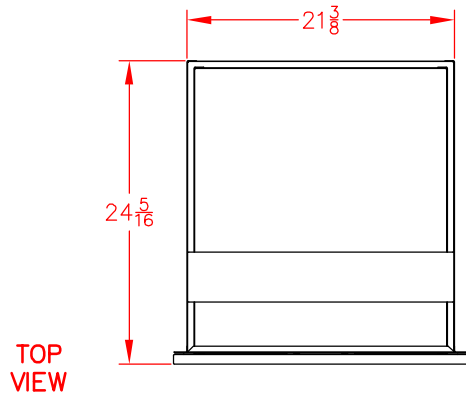


# LMD MODULAR SHALLOW DRAWER

## PRODUCT DIMENSIONS



## CUTOUT DIMENSIONS

